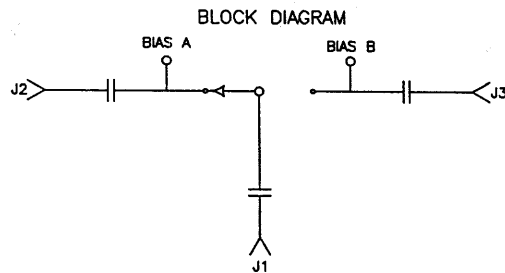


## DESCRIPTION

AMC MODEL SWN-218-2A OPTION: 100M18 IS A REFLECTIVE, SINGLE POLE TWO THROW SWITCH DESIGNED TO OPERATE OVER THE FULL 0.1 TO 18 GHz FREQUENCY RANGE WITH A 3.5 dB MAXIMUM INSERTION LOSS AND 60 dB MINIMUM ISOLATION.

## SPECIFICATIONS

- FREQUENCY RANGE: ..... 0.1 TO 18 GHz
- INSERTION LOSS: ..... 3.5 dB MAXIMUM
- ISOLATION: ..... 60 dB MINIMUM
- VSWR: ..... 2.0:1
- RISE TIME: ..... 10 nSec MAXIMUM
- FALL TIME: ..... 10 nSec MAXIMUM
- DELAY ON: ..... 100 nSec MAXIMUM
- DELAY OFF: ..... 100 nSec MAXIMUM
- POWER INPUT: ..... (CW)+23 dBm (MAXIMUM)
- SURVIVAL POWER: ..... +31 dBm PEAK 1  $\mu$ Sec
- CONTROL: ..... TTL LOGIC "0" = J1-J2 ON  
TTL LOGIC "1" = J1-J3 ON
- POWER SUPPLY: ..... +5V @ 60 mA MAXIMUM  
-15V @ 50 mA MAXIMUM



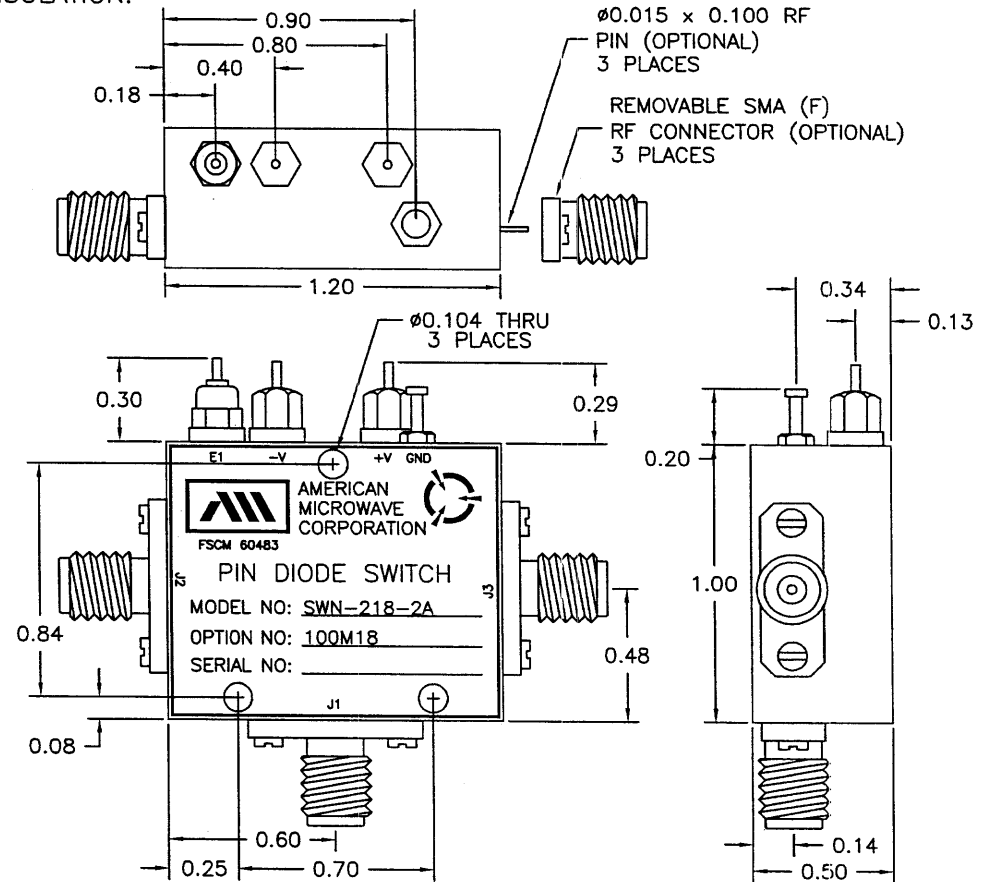
## ENVIRONMENTAL RATINGS

- TEMPERATURE: ..... -55°C TO +85°C (OPERATING)  
-65°C TO +125°C (STORAGE)
- HUMIDITY: ..... MIL-STD-202F, METHOD 103B COND. B
- SHOCK: ..... MIL-STD-202F, METHOD 213B COND. B
- VIBRATION: ..... MIL-STD-202F, METHOD 204D COND. B
- ALTITUDE: ..... MIL-STD-202F, METHOD 105C COND. B
- TEMPERATURE CYCLE: ..... MIL-STD-202F, METHOD 107D COND. A

NOTE: SPECIFICATIONS WILL VARY OVER OPERATING TEMPERATURE  
NOTE: THE ABOVE SPECIFICATIONS ARE SUBJECT TO CHANGE OR REVISION

ALL DIMENSIONS ARE IN INCHES  
TOLERANCES:  
X.XX  $\pm$ 0.020  
X.XXX  $\pm$ 0.010

REVISIONS				
ZONE	REV.	DESCRIPTION	DATE	APPROVED
	-	ORIGINAL RELEASE JOB# 410232-1	11/22/04	E SC



## AMERICAN MICROWAVE CORPORATION

7311-G GROVE ROAD  
FREDERICK, MARYLAND 21704 USA  
TEL: 301-662-4700 FAX: 301-662-4938  
WEBSITE: [www.americanmicrowavecorp.com](http://www.americanmicrowavecorp.com)  
E-MAIL: [sales@americanmicrowavecorp.com](mailto:sales@americanmicrowavecorp.com)  
ISO 9001:2000 CERTIFIED

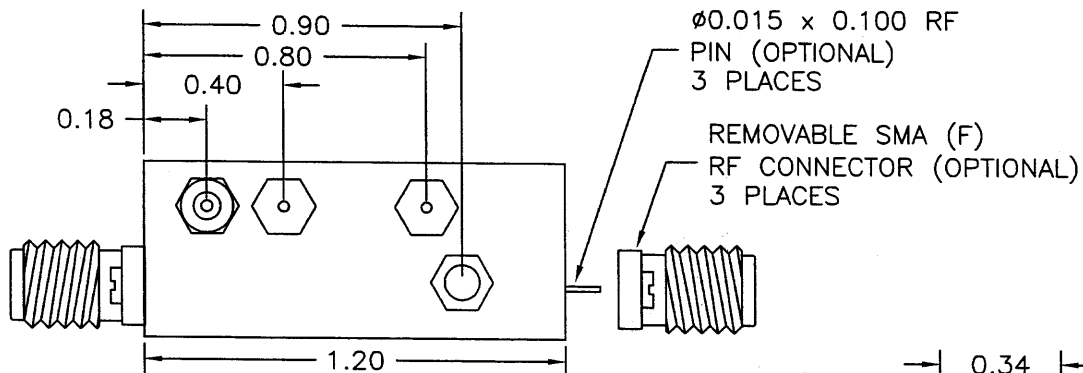


APPROVALS		DATE	TITLE		
DRAWN		11/22/04	PRODUCT FEATURE		
CHECKED		12/16/04	SWN-218-2A		
ISSUED			OPTION: 100M18		
			0.1 TO 18 GHz, SINGLE POLE TWO THROW SWITCH		
SIZE	FSCM NO.	DWG NO.	REV.		
A	60483	100-7187	-		
SCALE N:S		SHEET		1 OF 3	

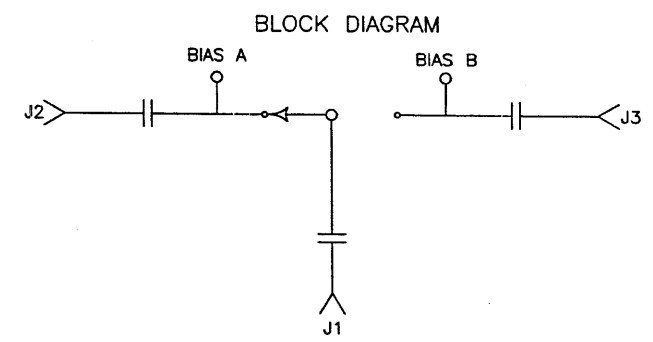
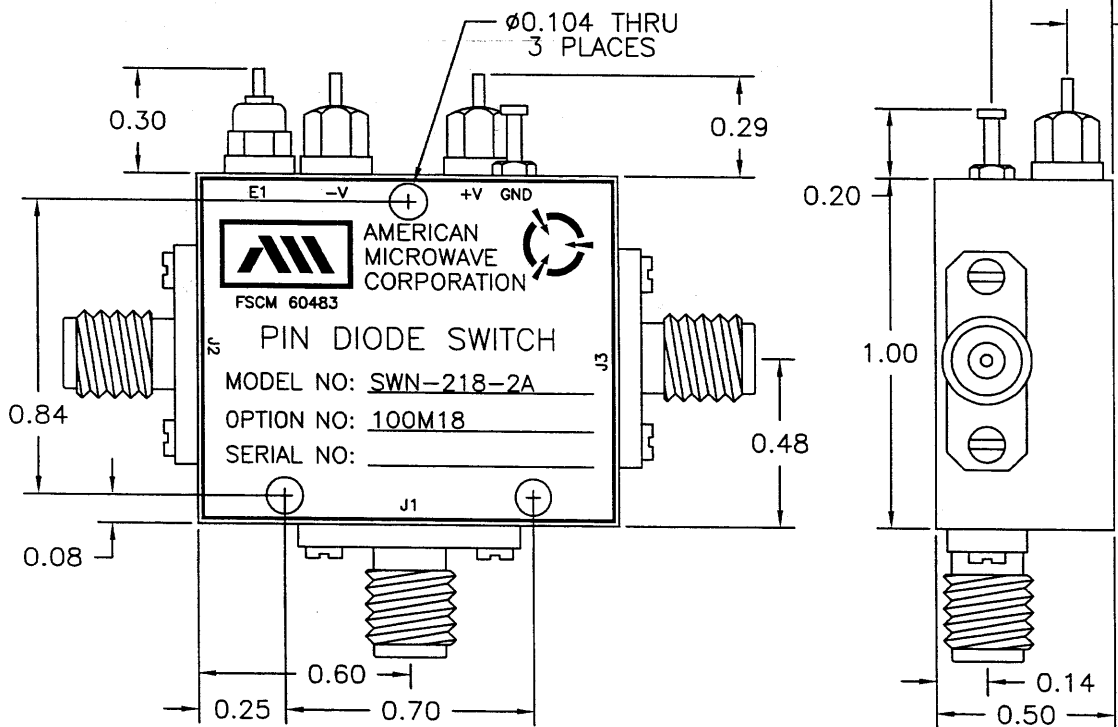
# DESCRIPTION

AMC MODEL SWN-218-2A OPTION: 100M18 IS A REFLECTIVE, SINGLE POLE TWO THROW SWITCH DESIGNED TO OPERATE OVER THE FULL 0.1 TO 18 GHz FREQUENCY RANGE WITH A 3.5 dB MAXIMUM INSERTION LOSS AND 60 dB MINIMUM ISOLATION.

REVISIONS				
ZONE	REV.	DESCRIPTION	DATE	APPROVED
	-	ORIGINAL RELEASE JOB# 410232-1	11/22/04	



# MECHANICAL OUTLINE



**AMERICAN MICROWAVE CORPORATION**  
 7311-G GROVE ROAD  
 FREDERICK, MARYLAND 21704 USA  
 TEL: 301-662-4700 FAX: 301-662-4938  
 WEBSITE: [www.americannmicrowavecorp.com](http://www.americannmicrowavecorp.com)  
 E-MAIL: [sales@americannmicrowavecorp.com](mailto:sales@americannmicrowavecorp.com)  
 ISO 9001:2000 CERTIFIED



ALL DIMENSIONS ARE IN INCHES  
 TOLERANCES:  
 X.XX  $\pm 0.020$   
 X.XXX  $\pm 0.010$

APPROVALS		DATE	TITLE		REV.
DRAWN	JDF	11/22/04	MECHANICAL OUTLINE SWN-218-2A OPTION: 100M18		-
CHECKED	[Signature]	12/16/04	SIZE	FSCM NO.	DWG NO.
ISSUED			A	60483	100-7187
			SCALE	N:S	SHEET 2 OF 3